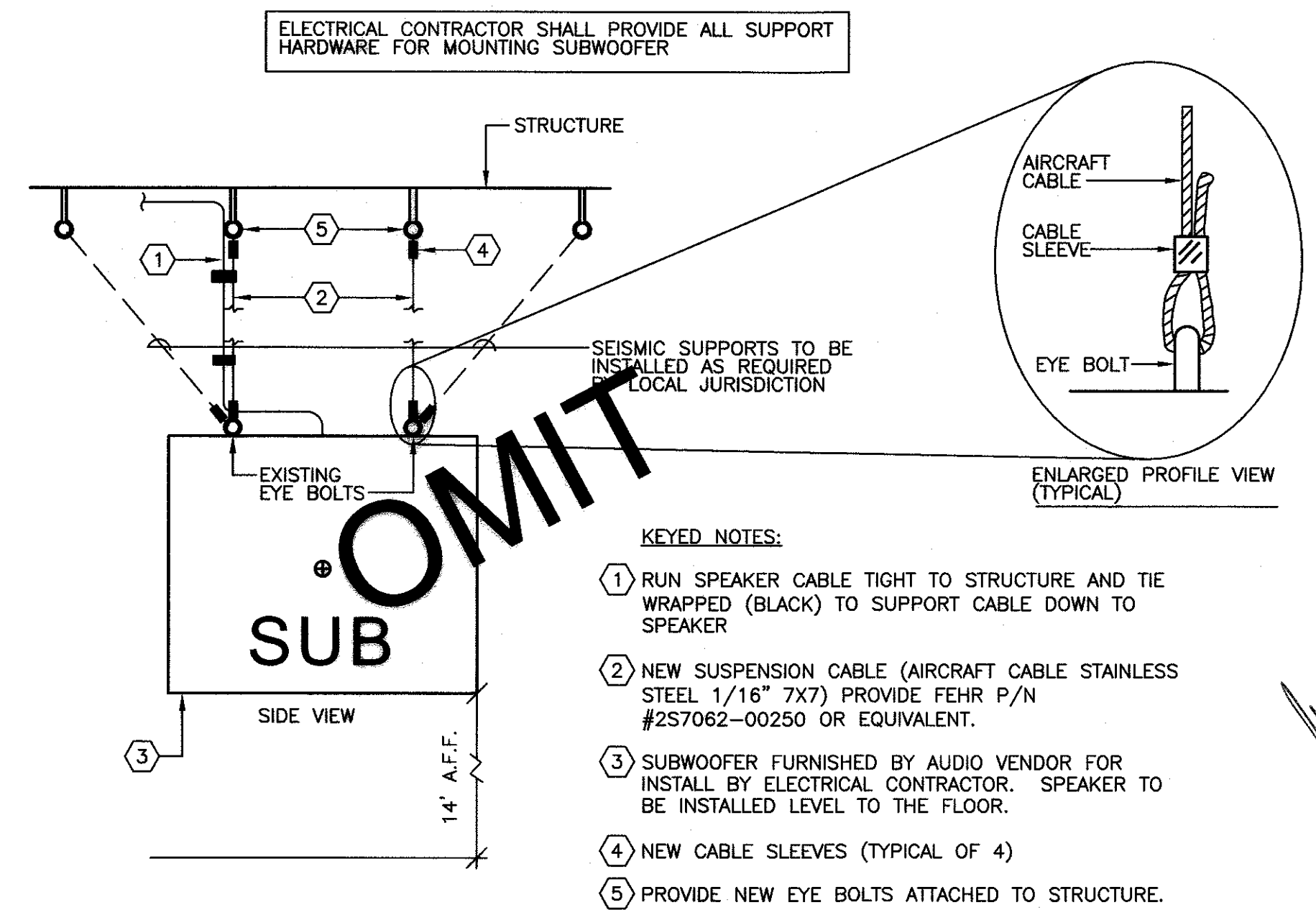
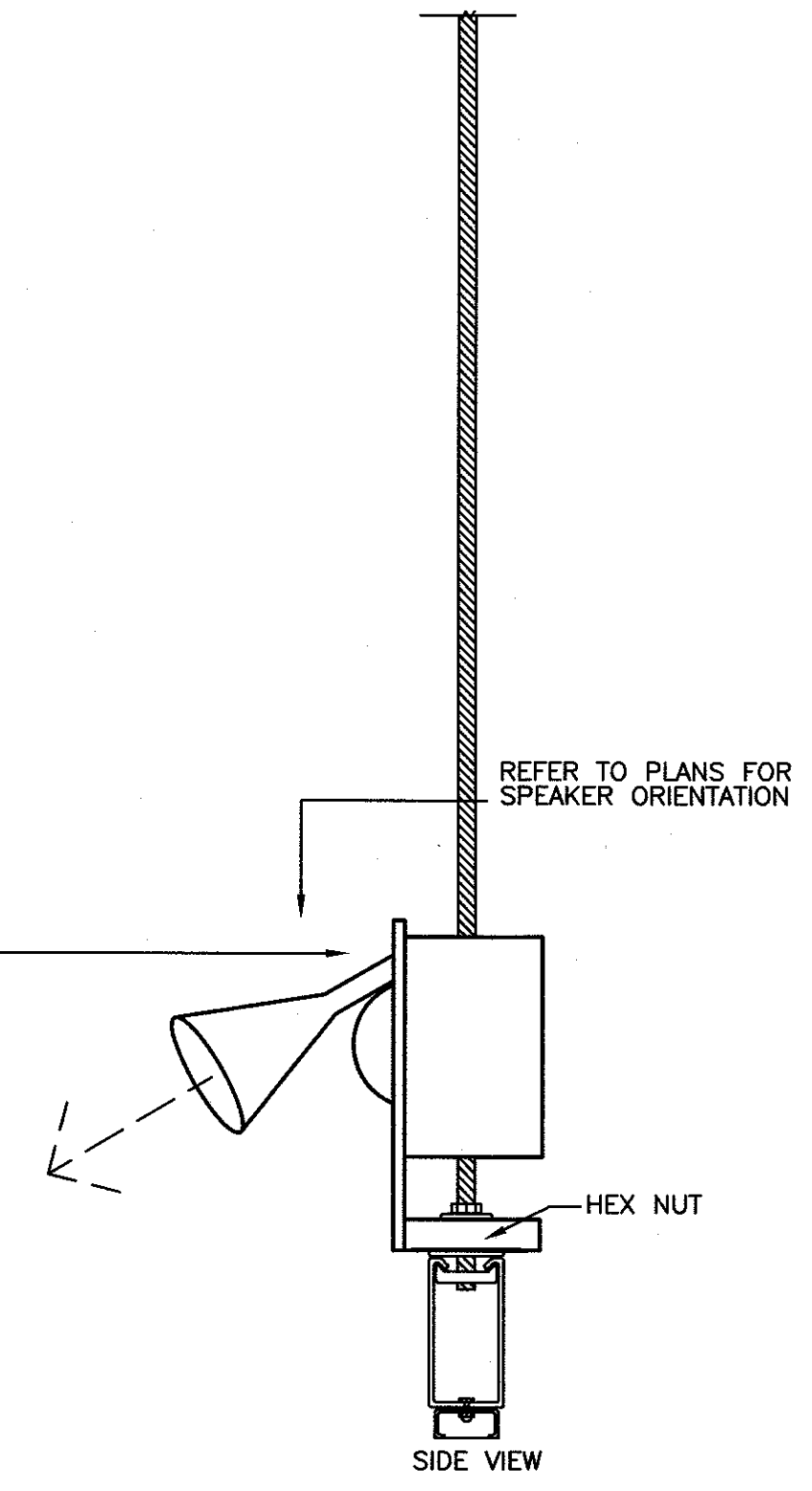
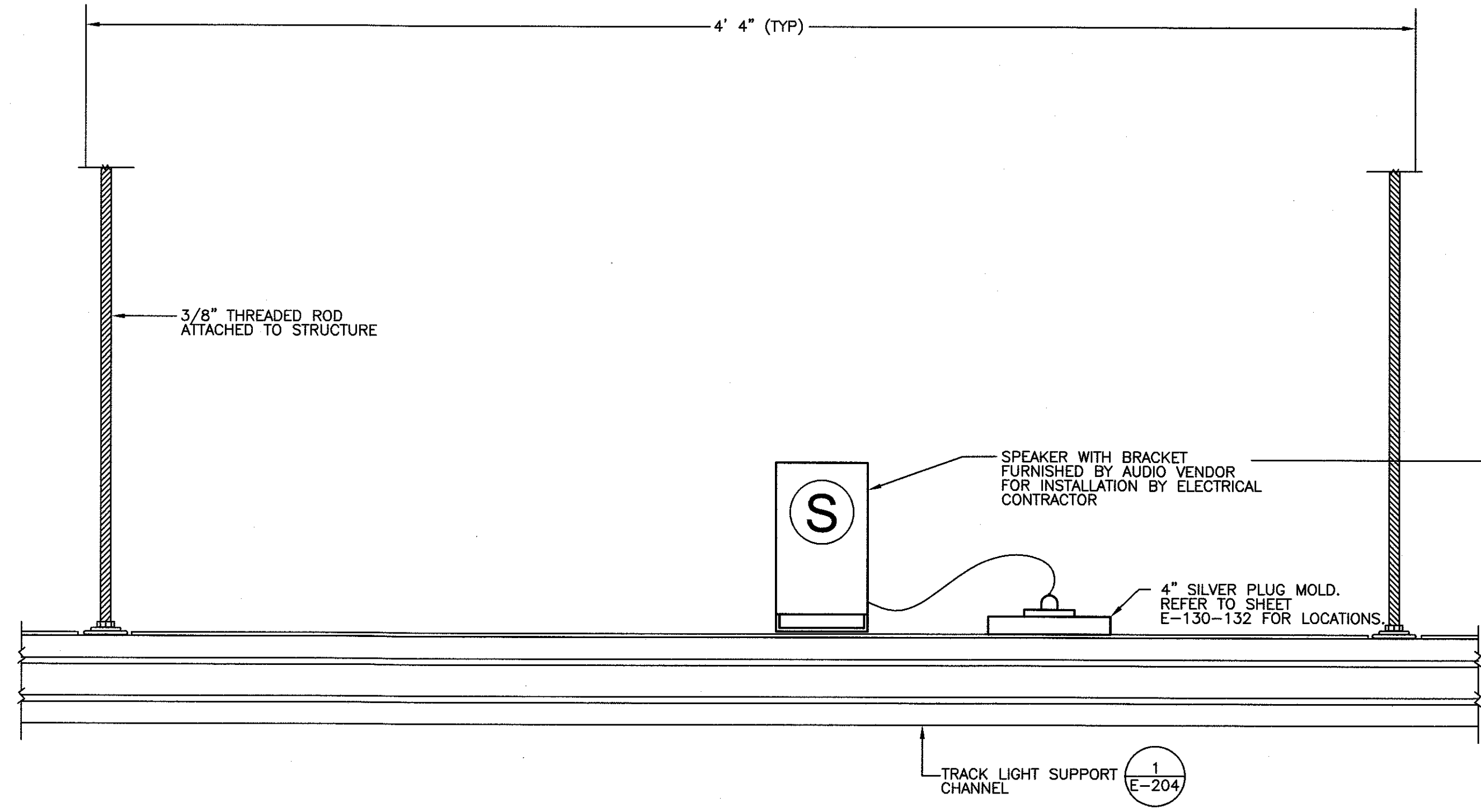


F  
E  
D  
C  
B  
A

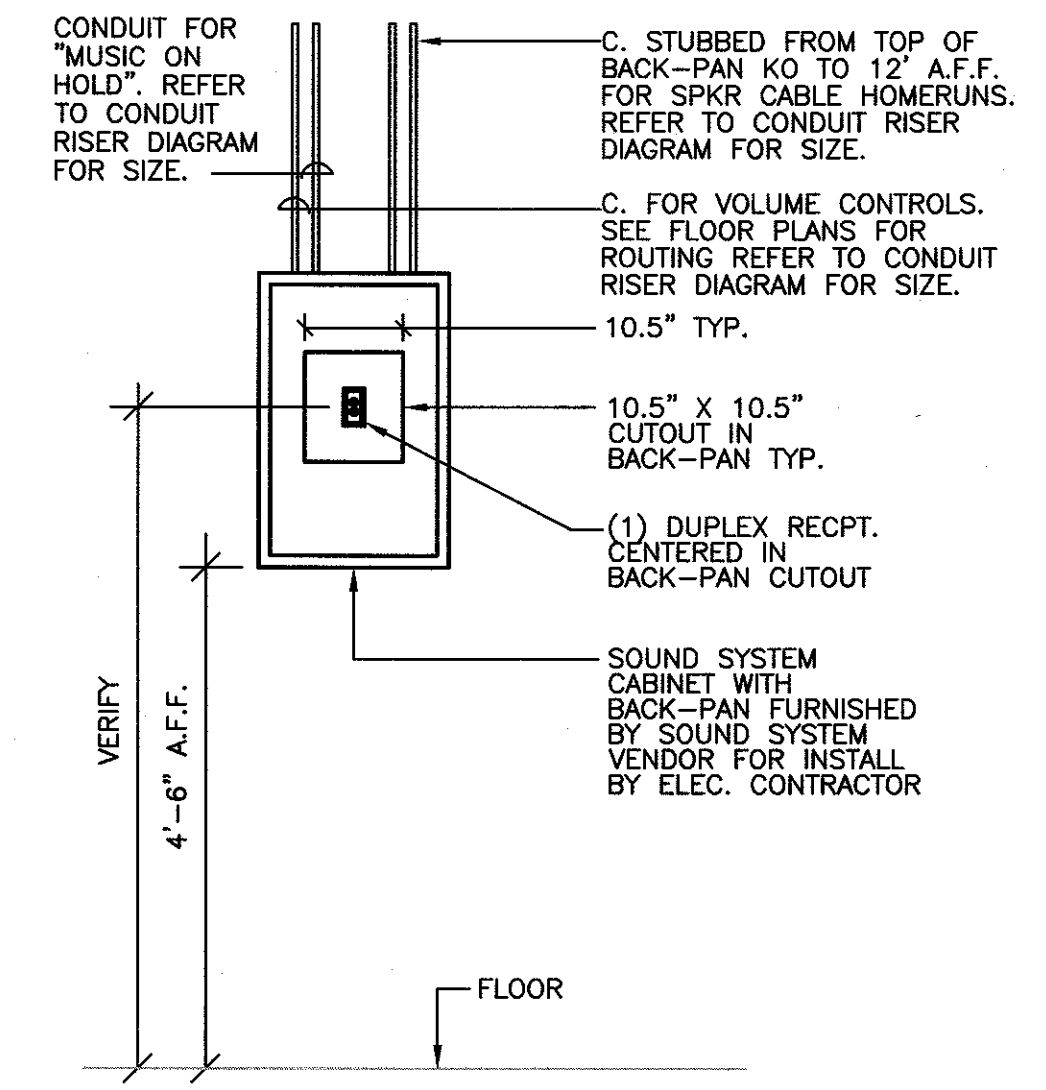


TYPICAL SPEAKER DETAIL

1  
NOT TO SCALE

TYPICAL SUBWOOFER DETAIL

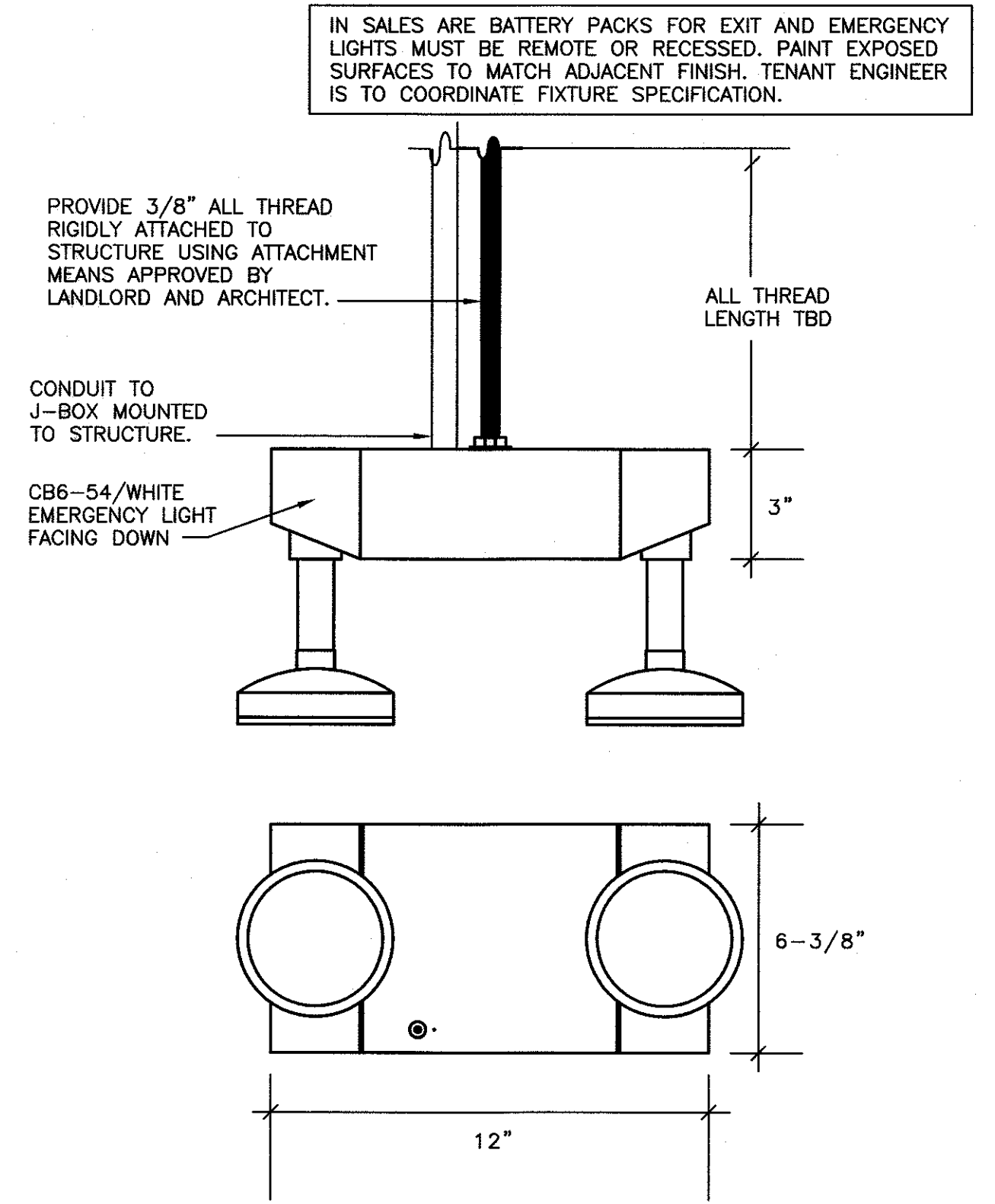
2  
NOT TO SCALE



- DETAIL NOTES:
1. ALL RECEPTACLES SHALL BE FLUSH MOUNTED.
  2. PRIOR TO ROUGH-IN CONTR. SHALL CONFIRM RACK DIMENSIONS AND LOCATION OF CUT-OUTS TO ENSURE OUTLETS ARE CENTERED IN CUT-OUTS.
  3. RACKS SHALL BE MOUNTED RIGHT WAY UP, HINGED FROM LEFT TO RIGHT.

SOUND SYSTEM CABINET ELEVATION

4  
NOT TO SCALE



EMERGENCY LIGHT SUPPORT

6  
NOT TO SCALE

OWNER:  
**WILLIAMS-SONOMA, INC.**  
3250 Van Ness Avenue  
San Francisco, CA 94109  
T 415 616 8602  
F 415 439 8164  
www.williams-sonoma.com

**EEA**  
EEA Consulting Engineers  
6615 Vaught Ranch Road, Suite 200  
Austin, Texas 78729-2314 USA  
512.744.4400 main 512.744.4444 fax  
www.eeac.com  
State of Registration: MAINE  
Firm Registration No. N/A  
EEA Project No. 20160538

Professional Engineer Seal for Michael N. Hart, No. 10807, State of Maine.

**west elm**  
Downtown Portland  
164 Middle Street  
Portland, ME 04101  
PROJECT #006-160335.00

ISSUED / REVISED	DATE
PRELIMINARY SET	09/08/16
LL COORDINATION SET	11/08/16
LL/PERMIT SET	11/21/16

ELECTRICAL DETAILS

**E-205**